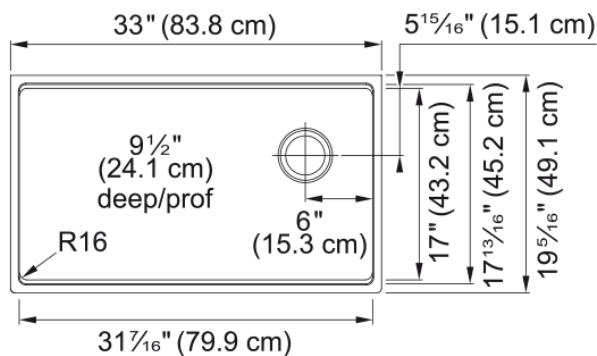


Maris Workcenter Sink MAG11031OW-MOC-WKC | 125.0688.140



Technical Data

Aspect

Sink type	Sink
Type of material	Granite
Number of bowls	1
Color	Mocha
Surface finish	None

Product Dimensions

Exterior size: right to left	33.004
Exterior size: front to back	19.335
Large bowl size: right to left	31.457
Large bowl size: front to back	17.035
Large bowl: depth	9.496

Installation

Minimum cabinet size	36"
----------------------	-----

Product specifications

Installation type	Undermount
Drain hole	3 1/2"
Position of drainer	No drainer

Product identification

Product brand	FRANKE
Collection	Maris
Certified by	CUPC

Features

Drainers number	No drainer
Product reversibility	No
Faucet ledge	No
Strainer assembly included	Yes
Strainer assembly type	Manual

Overflow	No
Number of faucet holes	No faucet hole
Soap dispenser hole	No

